

A

B

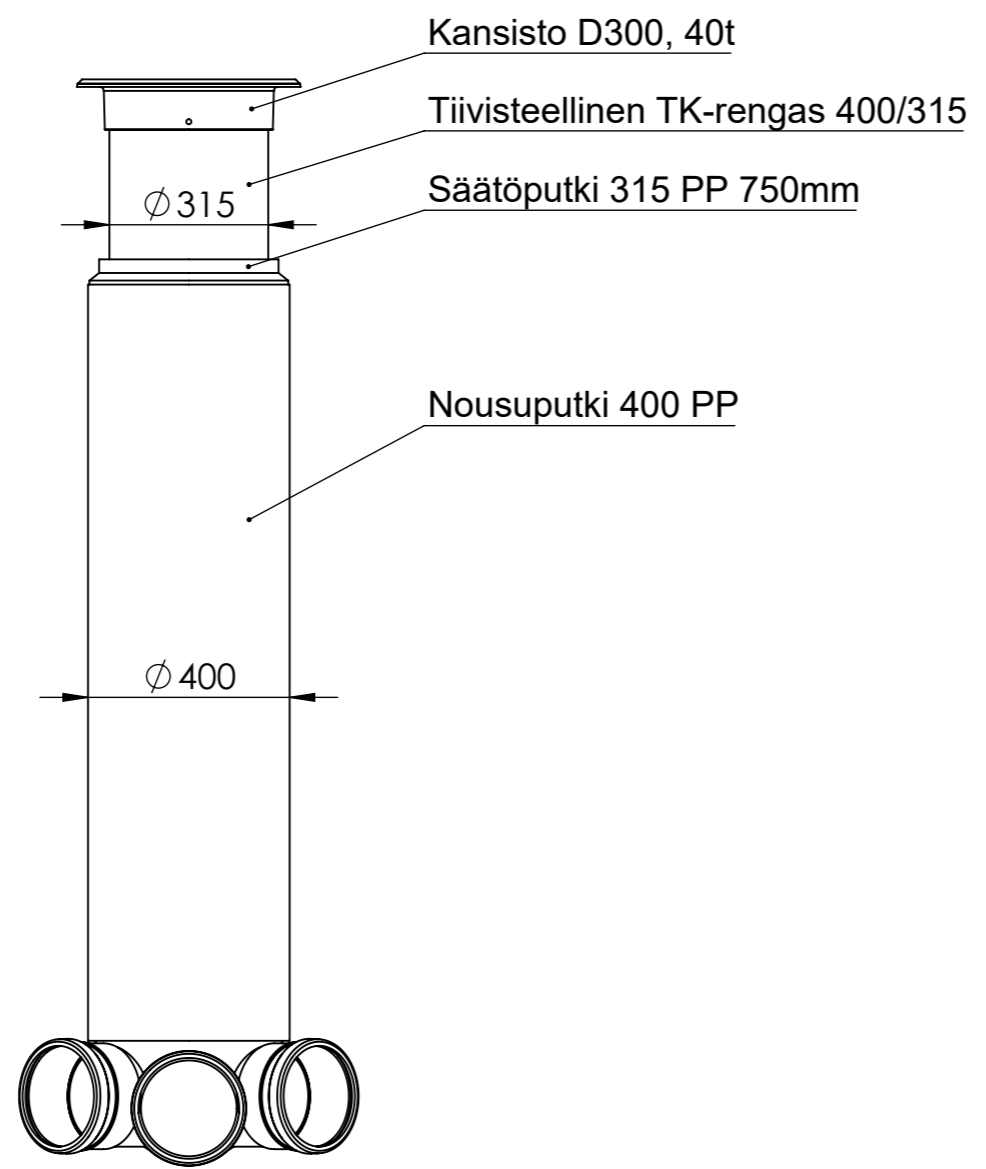
C

D

E

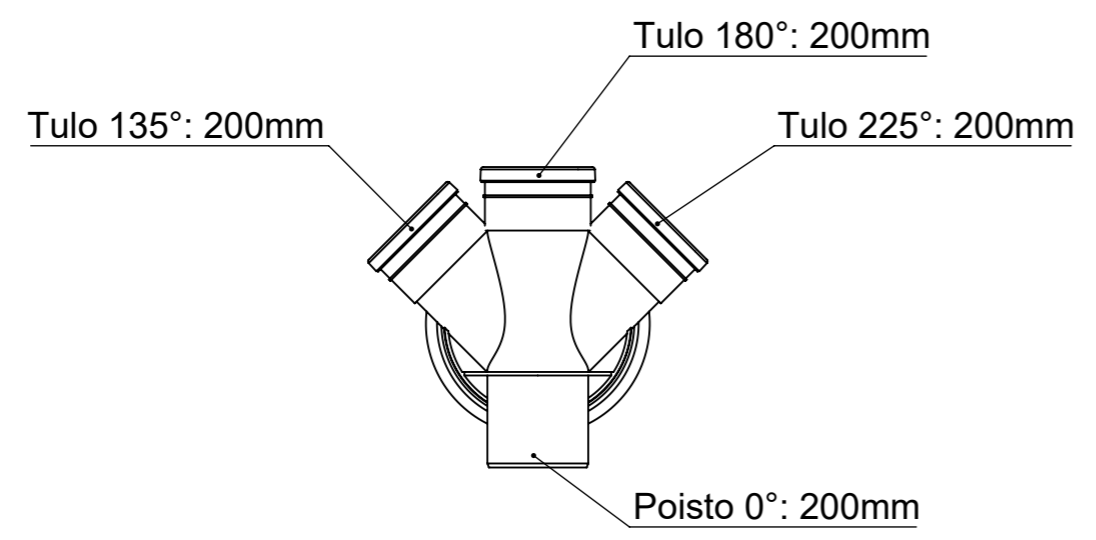
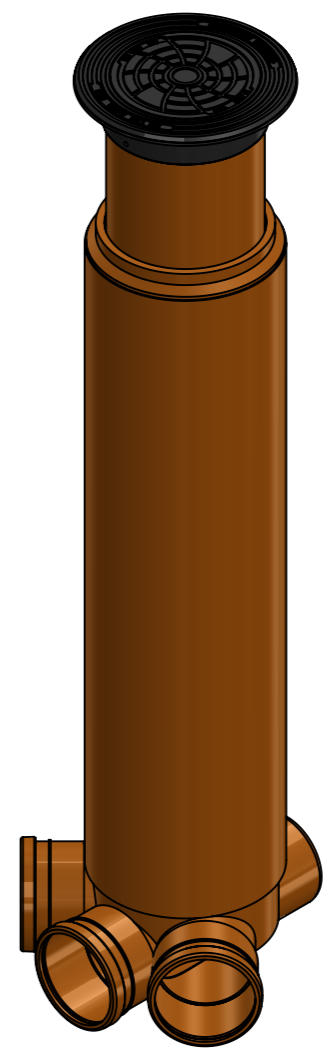
F

1 2 3 4 5 6 7 8



Rungonpituus:

- 1.5m
- 2.0m



| | | | |
|-------------------------------|--|----------------------|--------------------------|
| Material: PP | Name: Tarkastuskaivopaketti 400/200 | Drawn by: TMe | Drawn Date: 25.1.2019 |
| Weight: kg | Legal Owner: PIPELIFE | Checked/Approved by: | Checked/Approved Date: |
| Drawing Scale: 1:15 | Finish: | Metric: mm | Sheet: 1 of 1 |
| | | | Sheet Size: A3 |

1 2 3 4 5 6 7 8