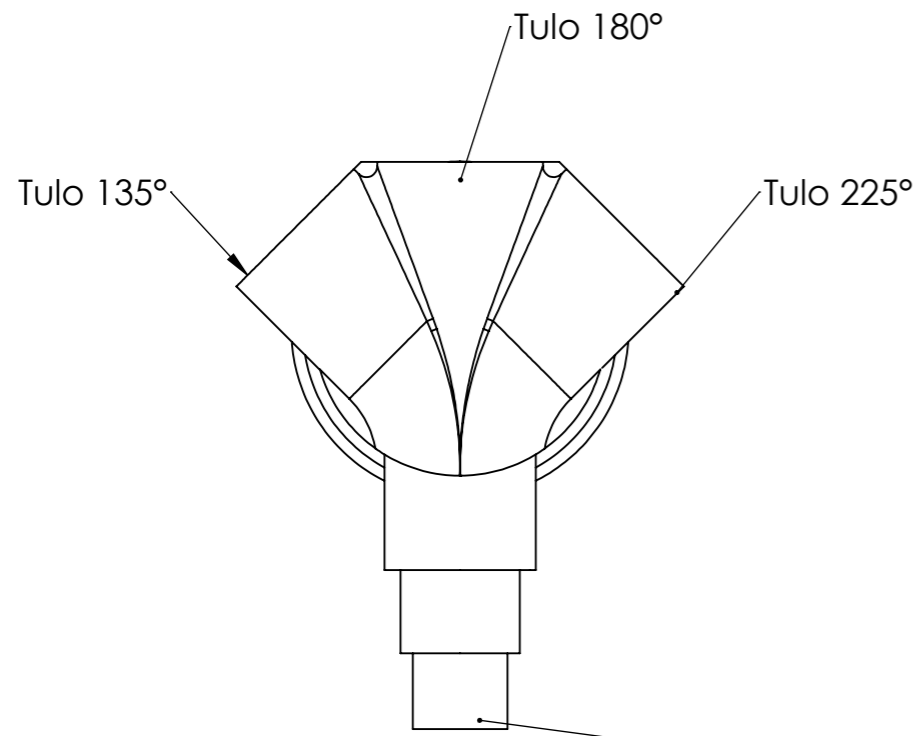


A



Muhvit hitsataan kaivoon tilaus taulukon mukaisesti:

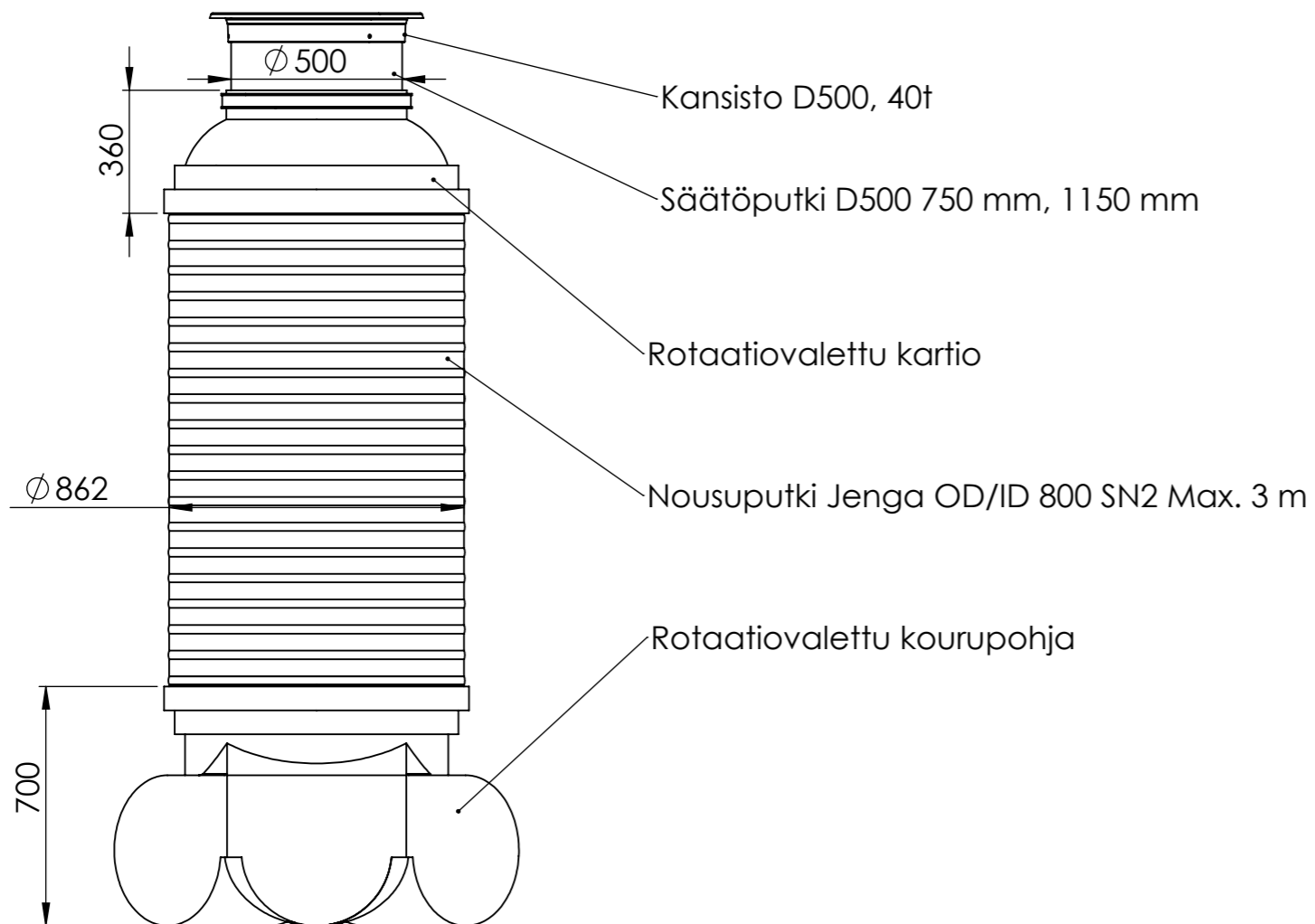
Muhvin koko/ tulo	Ø250 mm	Ø315 mm	Ø400 mm
135°			
180°			
225°			

B

C

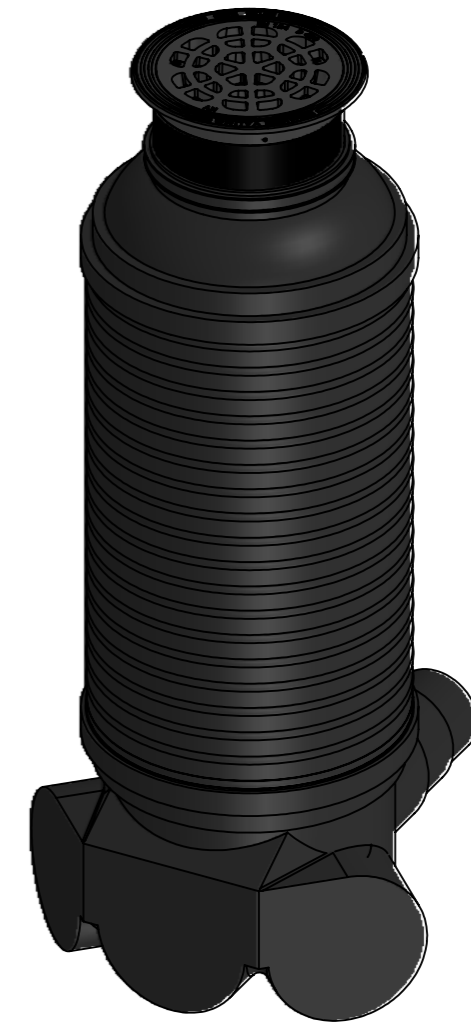
Poisto: 0° 250 mm, 315 mm, 400 mm pistopää

D



E

F



Material: PE	Name: VTK 800/500 Liittymät 250-400 mm	Drawn by: IMo	Drawn Date: 8.2.2018
		Checked/Approved by:	Checked/Approved Date:
Drawing Scale: 1:20	Legal Owner:	Finish:	
Weight:	PIPELIFE	Metric: mm 	Sheet: 1 of 1
			Sheet Size: A3

1

2

3

4

5

6

7

8

1

2

3

4

5

6

7

8